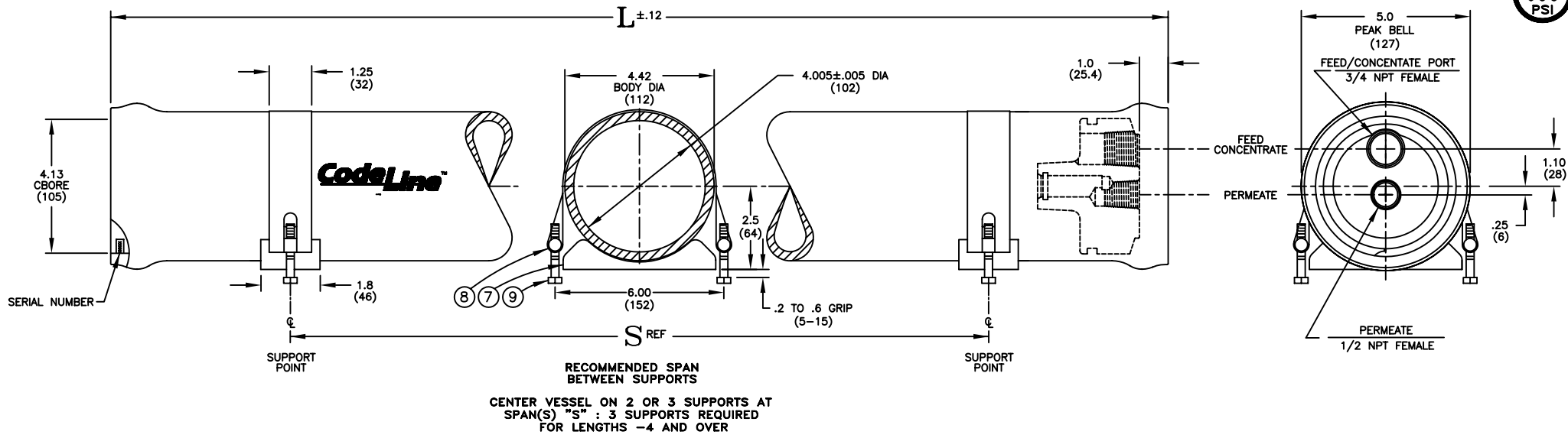
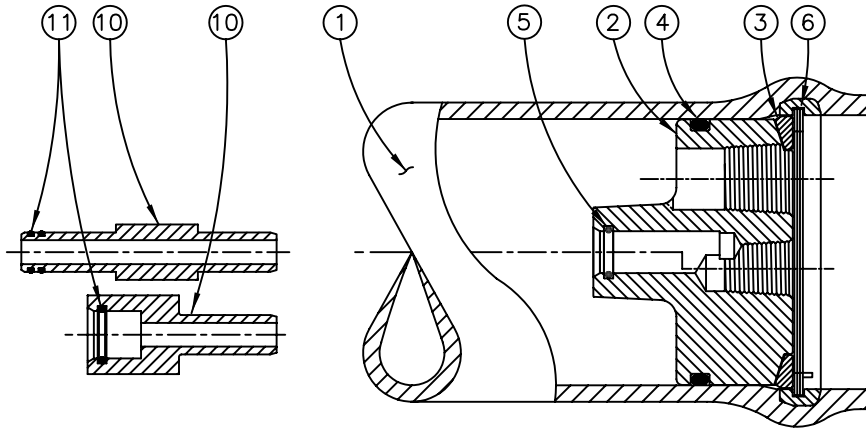


600
PSI



* PART LISTED ARE STANDARD OPTIONS				
Dwg. Ref.	Qty. Per	* Item Number	Description	Materials/Remarks
SHELL				
①	1		Shell	Filament wound epoxy/glass composite. Head locking grooves integrally wound in place. Shell exterior coated with white high gloss polyurethane paint.
HEAD				
②	2	50420	End Plug	Engineering Thermoplastic
③	2	50440	Bearing Ring	Nickel-plated Alloy Steel
④	2	45317	Plug Seal	Ethylene Propylene - O-Ring
⑤	2	45294	Adapter Seal	Ethylene propylene O-Ring
HEAD INTERLOCK				
⑥	2	45260	Retaining Ring	316 SST
VESSEL SUPPORT				
⑦	*2	45058	Saddle	Engineering Thermoplastic
⑧	*2	47459	Strap Assembly	304 SST - PVC Cushion
⑨	4	47458	Strap Screw	5/16-18 UNC, 18-8 SST
ELEMENT INTERFACE				
⑩	2	As Required	Adapter	Engineering Thermoplastic
⑪	A/R	As Required	PWT Seal	Ethylene propylene O-Ring
*3 each furnished with length code 4, 5 & 6				



SECTION THROUGH END CLOSURE

NOTES

- DIMENSIONS IN INCHES (MM APPROX)
- NOT TO BE USED FOR CONSTRUCTION UNLESS CERTIFIED
- PATENT APPLIED FOR

Shell Length Code	L L.O.A. IN (MM)	S Span IN (MM)	APPROX. ASSEMBLY Weight LB (KG)
1	49.9 (1268)	28 X 1 (711)	13.8 (6.3)
2	89.9 (2283)	56 X 1 (1422)	22.2 (10.1)
3	129.9 (3299)	80 X 1 (2032)	30.7 (13.9)
4	169.9 (4315)	64 X 2 (1626)	39.2 (17.8)
5	209.9 (5331)	78 X 2 (1981)	47.6 (21.6)
6	249.9 (6347)	92 X 2 (2337)	56.1 (25.4)



DRW. AXA	MODEL 40E60 BRACKISH PRESSURE MEMBRANE HOUSING				
APPR. RM					
DATE 11JUL05	ECN 730	SHEET 1 OF 2	SIZE B	NUMBER 518017	REV D

RATING:

DESIGN PRESSURE..... 600 PSI at 120°F
(4.1 MPa at 49°C)
MIN. OPERATING TEMP..... 20°F
(-7°C)
FACTORY TEST PRESSURE..... 900 PSI
(6.2 MPa)
BURST PRESSURE..... 3600 PSI
(24.8 MPa)

INTENDED USE

The CodeLine Model 40E60 Fiberglass RO Pressure Vessel is designed for continuous, long-term use as a housing for reverse osmosis membrane elements to desalt typical brackish waters at pressures up to 600 psi. Any make of four-inch nominal diameter spiral-wound element is easily accommodated; the appropriate interfacing hardware for the element specified is furnished with the vessel.

The CodeLine Model 40E60 must be installed, operated and maintained in accordance with the precautions listed and good industrial practice to assure safe operation over a long service life.

The high performance reinforced plastic shell must be allowed to expand under pressure; undue restraint at support points or piping connections can cause leaks to develop in the shell. The end closure, incorporating close-fitting, interlocking metal components, must be kept dry and free of corrosion; deterioration can lead to catastrophic mechanical failure of the head.

Pentair Water will assist the purchaser in determining the suitability of this standard vessel for their specific operating conditions. The final determination however, including evaluation of the standard materials of construction for compatibility with the specific corrosive environment, shall be the responsibility of the purchaser.

Specifications subject to change without notice.

PRECAUTIONS

- DO... read, understand and follow all instructions; failure to take every precaution will void warranty and may result in vessel failure
- DO... mount shell on horizontal membrane at central span "S" using compliant vessel supports furnished; tighten hold down straps just snug
- DO... provide overpressure protection for vessel set at not more than 105% of design pressure
- DO... inspect end closures regularly; replace components that have deteriorated and correct causes of corrosion
- DO NOT... make rigid piping connections to ports or clamp vessel in any way that restricts growth of fiberglass shell under pressure; ▲DIA = 0.02 in. (0.5mm) and ▲L = 0.2 in. (5mm) for a length code -6 vessel
- DO NOT... hang piping manifolds from threads or use vessel in any way to support other components.
- DO NOT... operate vessel at pressures and temperatures in excess of its rating
- DO NOT... operate vessel without a complete set of elements and interconnecting hardware
- DO NOT... overtighten the connection to the permeate port (hand-tighten plus one-quarter turn, check for leaks.)
- DO NOT... tolerate leaks or allow end closures to be routinely wetted in any way
- DO NOT... pressurize vessel until double checking to verify that the Retaining Ring is in place and fully seated.
- DO NOT... work on any component until first verifying that pressure is relieved from vessel
- DO NOT... operate at pH levels below 3 or above 10

For complete information on proper use of this vessel please refer to the 40E Series USER'S GUIDE, Bulletin 526004

CAUTION:
EYE PROTECTION SHOULD BE WORN
WHEN REMOVING OR INSTALLING
RETAINING RINGS.
KEEP FINGERS CLEAR FROM
RETAINING RING WHILE INSTALLING
LAST OF TWO TURNS.
RING MAY SNAP INTO POSITION
POSSIBLY PINCHING FINGERS.

ORDERING

Using the chart below, please check the features you require and fax them with your purchase order to our customer service department for expedited processing. For optional materials and or feature not listed below, please consult the factory for pricing and availability.

Please note that we require your membrane brand and model number when ordering. If this information is not initially available, you may provide it at a later date by checking the appropriate box below

VESSEL LENGTH CODE – please check one

CODELINE MODEL 40E60 -1 -2 -3 -4 -5 -6

EXTERIOR FINISH – please check one

- Standard – white high-gloss polyurethane coating over sanded surface.
- Option – optional colors are available for 50 or more vessels per order. Call factory for pricing details.

CERTIFICATION – please check one

- Standard – certified by Pentair Water, not code stamped.
- Option – CE marked.

MEMBRANE BRAND AND MODEL – please check one and fill in information

- Please supply adapters for the following membrane brand and specific model.
Brand _____ Model _____
- Membrane brand and model information is not currently available, but will be supplied to CodeLine on or before the following date. ____/____/

MATERIAL AND PORT CONFIGURATIONS OPTIONS – please check one

- Standard – all materials and port configurations per drawing 518017 on the opposite page.